

# Bio



# IMPLANTS

YOUR  
CUSTOMER'S  
SMILE IS  
OUR MUTUAL  
SUCCESS!



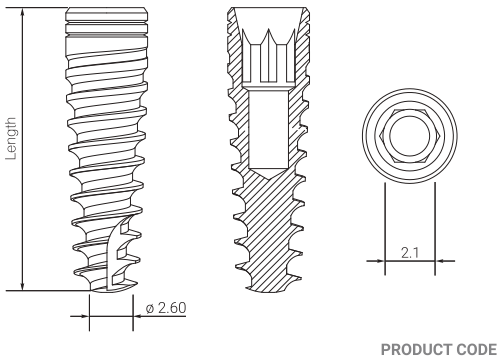
**Bio3 IMPLANTS**

 Premium Dental Implants

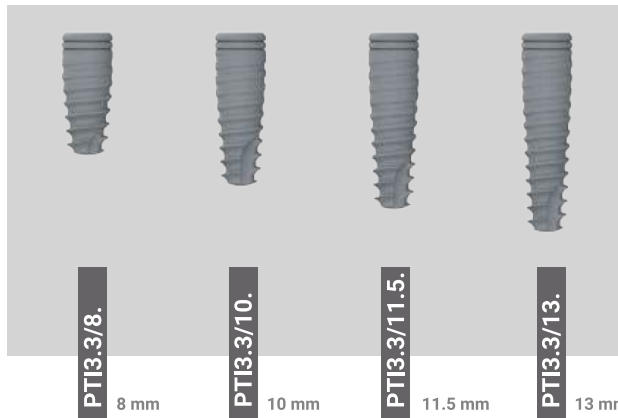
# IMPLANTS

# Bio3 IMPLANT PROGRESSIVE

Standard platform



PRODUCT CODE



DIAMETER

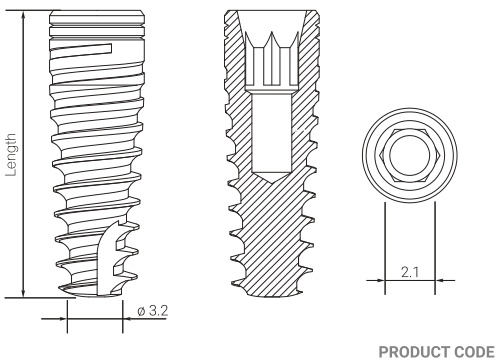
**3.3**

INTERNAL HEX

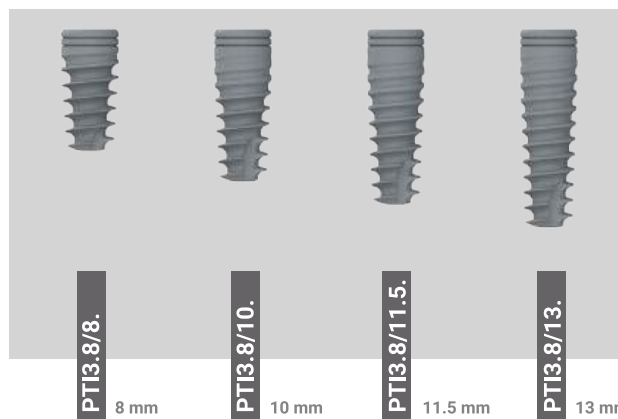
**2.1**

**ATTENTION!**

It is used for installation in front parts (incisors)



PRODUCT CODE



DIAMETER

**3.8**

INTERNAL HEX

**2.1**

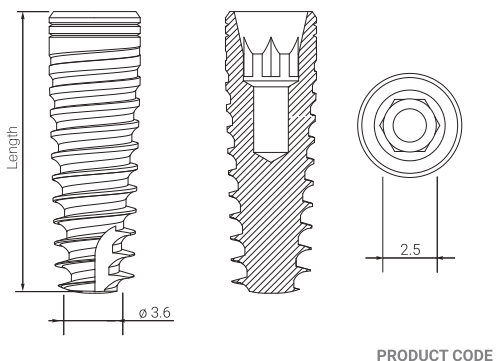
**TITANIUM COVER SCREW 2.1**



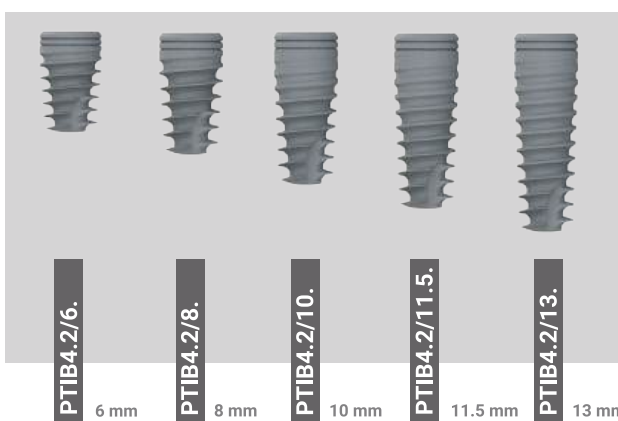
is included in each implant set

# Bio3 IMPLANT PROGRESSIVE

Wide platform



PRODUCT CODE

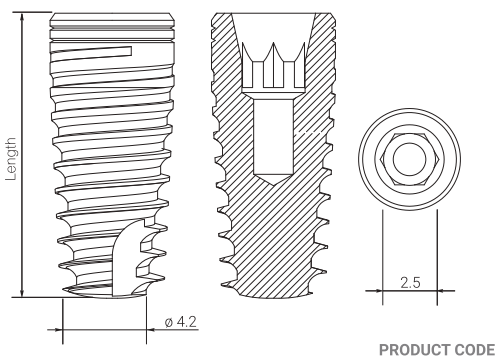


DIAMETER

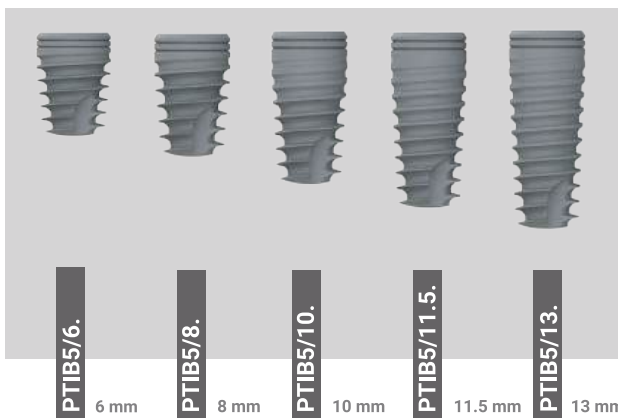
**4.2**

INTERNAL HEX

**2.5**



PRODUCT CODE



DIAMETER

**5.0**

INTERNAL HEX

**2.5**

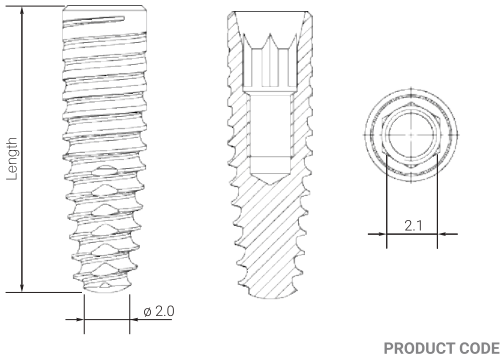
**TITANIUM COVER SCREW 2.5**



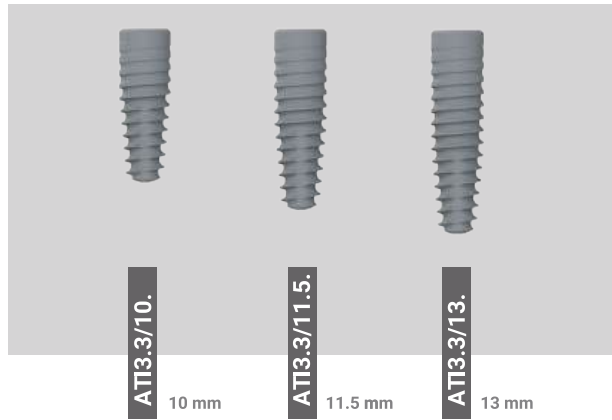
is included in each implant set

# Bio3 IMPLANT ADVANCED

Standard platform



PRODUCT CODE



AT3.3/10.  
10 mm

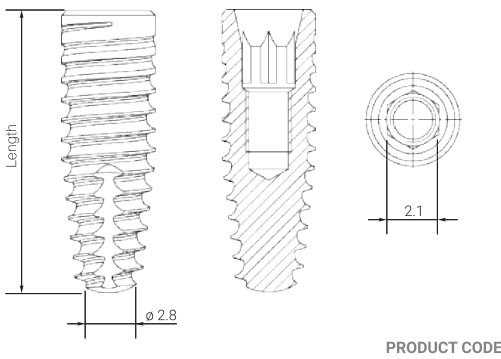
AT3.3/11.5.  
11.5 mm

AT3.3/13.  
13 mm

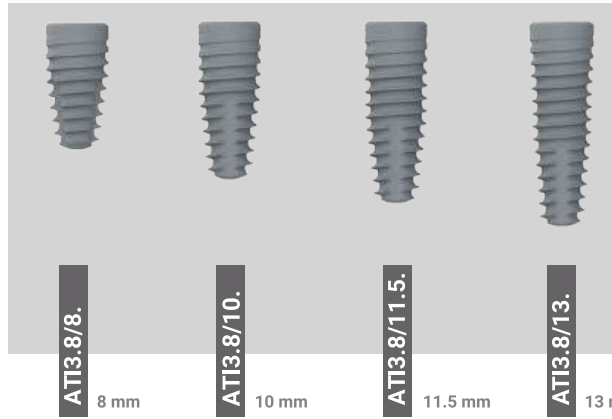
DIAMETER  
**3.3**

INTERNAL HEX  
**2.1**

**ATTENTION!**  
It is used for installation  
in front parts (incisors)



PRODUCT CODE



AT3.8/8.  
8 mm

AT3.8/10.  
10 mm


AT3.8/11.5.  
11.5 mm

AT3.8/13.  
13 mm

DIAMETER  
**3.8**

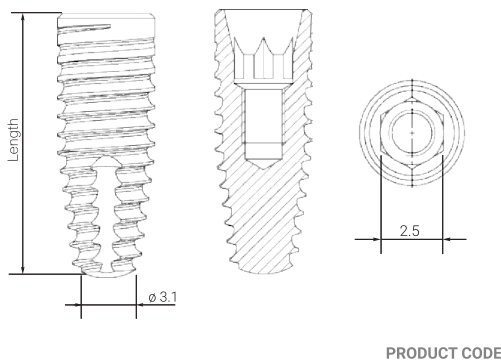
INTERNAL HEX  
**2.1**

**TITANIUM COVER SCREW 2.1**

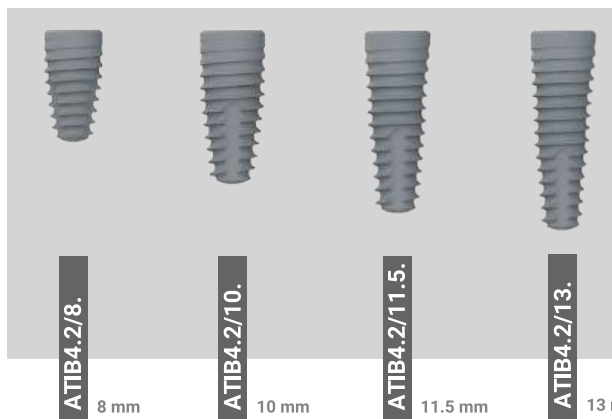
 is included in  
each implant set

# Bio3 IMPLANT ADVANCED

Wide platform



PRODUCT CODE



ATB4.2/8.  
8 mm

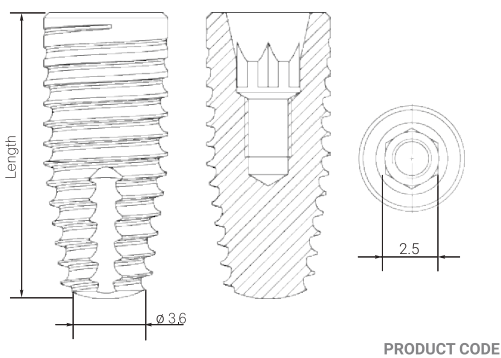
ATB4.2/10.  
10 mm

ATB4.2/11.5.  
11.5 mm

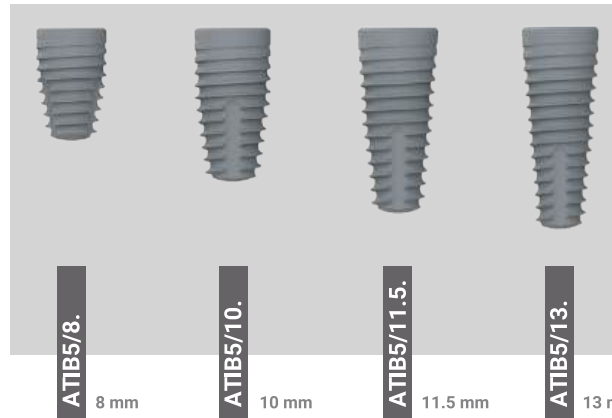
ATB4.2/13.  
13 mm

DIAMETER  
**4.2**

INTERNAL HEX  
**2.5**



PRODUCT CODE



ATB5/8.  
8 mm

ATB5/10.  
10 mm


ATB5/11.5.  
11.5 mm

ATB5/13.  
13 mm

DIAMETER  
**5.0**

INTERNAL HEX  
**2.5**

**TITANIUM COVER SCREW 2.5**

 is included in  
each implant set

# Bio3 IMPLANTS SYSTEM

## IMPLANT PROGRESSIVE



PRODUCT CODE **PTI**  
MATERIAL Titanium Grade 4

## IMPLANT ADVANCED



PRODUCT CODE **ATI**  
MATERIAL Titanium Grade 4



**GUIDE SURGICAL KIT**  
PRODUCT CODE **GSK**



**PENGUIN MONITOR**  
PRODUCT CODE **55002**



**SURGICAL KIT**  
PRODUCT CODE **VSC**



Bio3 Implants GmbH  
Hanauer Str.1 - 5, 75181,  
Pforzheim, Deutschland  
+49 723 160 84 104  
www.bio3-implants.com  
info@bio3-implants.com



ONLINE SHOP



WEBSITE