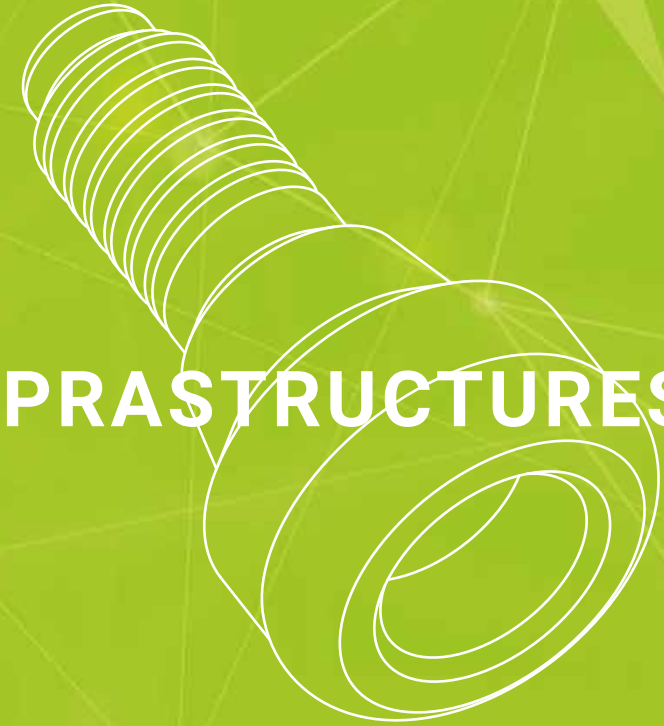


Bio3 IMPLANTS

Premium Dental Implants



SUPRASTRUCTURES

Bio3 IMPLANTS

 Premium Dental Implants



Premium Tapered Implants Range

Bio3 IMPLANTS

Bio3 Implants is the synergy of the best achievements of the German dentistry school and innovative global developments.

Bio3 Implants GmbH is a German company, which offers dentists best solutions of the highest quality and accuracy in implantology. We develop, produce and implement reliable and quality implant systems of premium line.

Bio3 Implants team tends to make implantation simple, easy, high-quality and highly gentle for the patient. To achieve this goal the company develops innovative premium quality products as well as provides its customers with a high standard service.

Reliability and quality

Bio3 Implants conducts continuous and systematic quality control of all products which is confirmed by international quality standards ISO13485:2016, CE2797.

During the past years the company extended its production with the most advanced high-tech equipment. Technological cycle of Bio3 Implants production is ensured by high standards of German quality. All products go through numerous stages of quality control.

Identification and warranty

Each Bio3 Implants product is assigned a unique serial number that allows tracking the product's manufacturing history from the first to the final stage. Bio3 Implants provides a lifetime warranty for all implants. Each implant comes with a Warranty Card, a Product Certificate, and a patient manual.

Compactness and availability

We offer a simple and reliable solution for all possible clinical situations. The doctors use only one surgical kit to perform operations on all implant types. Bio3 implant system has 2 platforms for implants with conical connection and internal hexagon fixation for absolute stability.



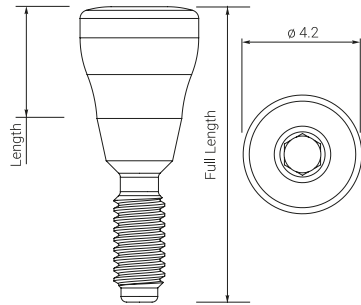
Suprastructures

- 02 Gingiva Healing Abutments
- 05 Straight Anatomic Abutments
- 05 Plastic transfer cap
- 06 Straight Abutments
- 07 Angled Abutments 15°
- 08 Angled Abutments 25°
- 09 Impression Suprastructures
- 10 Straight Multi-Units
- 11 Angled Multi-Units 17°
- 12 Angled Multi-Units 30°
- 13 Ball Attachments
- 14 Locators
- 15 Burn-out Abutments
- 16 Titanium Base for CAD/CAM
- 17 Prosthetics for CAD/CAM

GINGIVA HEALING ABUTMENTS

Standard platform

INTERNAL HEX
2.1



PRODUCT CODE



HEALING CAPS

MATERIAL Titanium Grade 5

DIAMETER	4.2 mm	4.2 mm	4.2 mm	4.2 mm	4.2 mm
LENGTH	2 mm	3 mm	4 mm	5 mm	7 mm
FULL LENGTH	8.45 mm	9.45 mm	10.45 mm	11.45 mm	13.45 mm

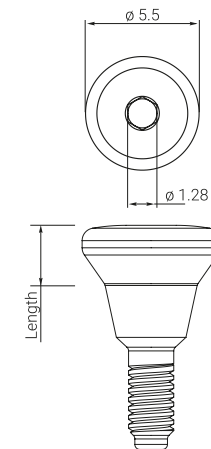
Healing cap for standard platform (2.1 mm) with two diameters – 4.2 mm and 5,5 mm. It is installed using universal or hand prosthetic insertion driver.



PRODUCT CODE

MATERIAL Titanium Grade 5

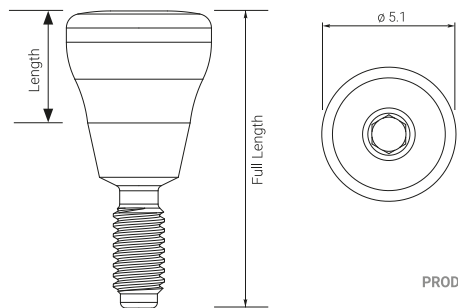
DIAMETER	5.5 mm	5.5 mm	5.5 mm	5.5 mm
LENGTH	2 mm	3 mm	4 mm	5 mm
FULL LENGTH	7.72 mm	8.73 mm	9.73 mm	10.73 mm



GINGIVA HEALING ABUTMENTS

Wide platform

INTERNAL HEX
2.5



PRODUCT CODE

STANDARD



HEALING CAPS

MATERIAL Titanium Grade 5

	GFB2	GFB3	GFB4	GFB5	GFB7
DIAMETER	5.1 mm	5.1 mm	5.1 mm	5.1 mm	5.1 mm
LENGTH	2 mm	3 mm	4 mm	5 mm	7 mm
FULL LENGTH	8.45 mm	9.45 mm	10.45 mm	11.45 mm	13.45 mm

Healing cap for wide platform (2.5 mm) with two diameters – 5.1 mm and 5.5 mm.

It is installed using universal or hand prosthetic insertion driver.

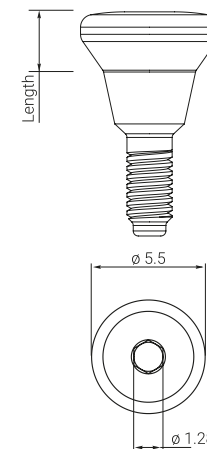
WIDE



PRODUCT CODE

MATERIAL Titanium Grade 5

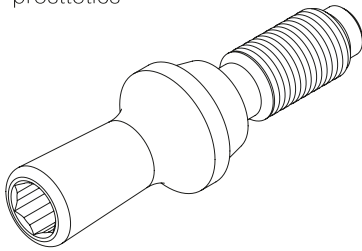
	GFB/W2	GFB/W3	GFB/W4	GFB/W5
DIAMETER	5.5 mm	5.5 mm	5.5 mm	5.5 mm
LENGTH	2 mm	3 mm	4 mm	5 mm
FULL LENGTH	7.9 mm	8.9 mm	9.9 mm	10.9 mm



GAMBREN GINGIVA HEALING ABUTMENTS (narrow)

Standard platform

Ensures ideal gingival margin.
Suitable for any variants
of the following dental
prosthetics

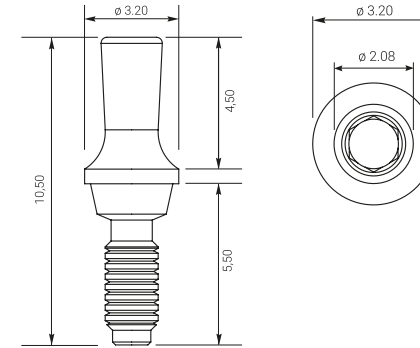


MATERIAL Titanium Grade 5

DIAMETER 3.2 mm
LENGTH 10.5 mm

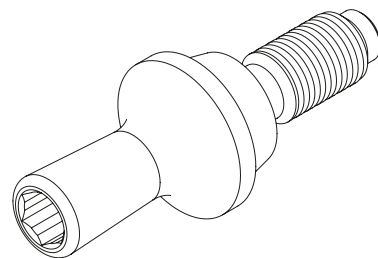


PRODUCT CODE GFNS



INTERNAL HEX
2.1

Wide platform

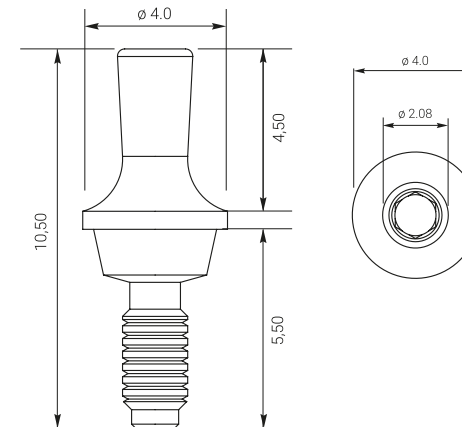


MATERIAL Titanium Grade 5

DIAMETER 4.0 mm
LENGTH 10.5 mm



PRODUCT CODE GFNB

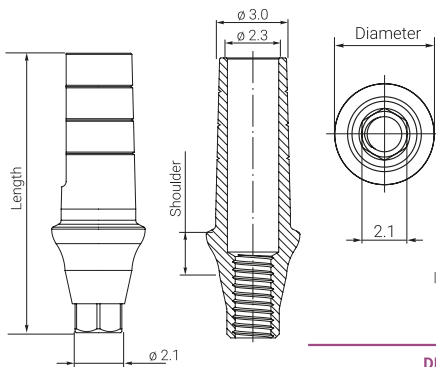


INTERNAL HEX
2.5

*Gambren Gingiva healing abutments (narrow) are used in implantology to shape the natural contour of soft tissues around the implant, prepare the gingiva for prosthetics, stabilize the tissues, and accelerate healing, ensuring an aesthetic appearance and proper fit for the final restoration.

STRAIGHT ANATOMIC ABUTMENTS

Standard platform



STANDARD



PRODUCT CODE
GAAS1 GAAS2 GAAS3

DIAMETER	4.2 mm	4.2 mm	4.2 mm
SHOULDER	1 mm	2 mm	3 mm
LENGTH	11.55 mm	12.55 mm	13.55 mm

WIDE



PRODUCT CODE
GAAS/W-1 GAAS/W-2 GAAS/W-3

DIAMETER	5.5 mm	5.5 mm	5.5 mm
SHOULDER	1 mm	2 mm	3 mm
LENGTH	11.55 mm	12.55 mm	13.55 mm

INTERNAL HEX
2.1

Each abutment set includes:

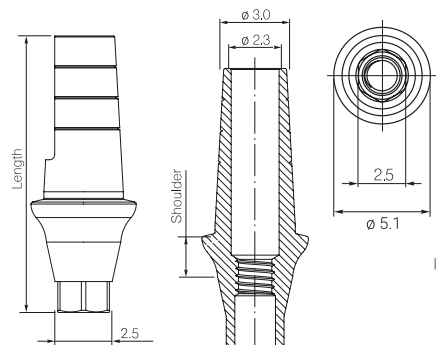


PROSTHETIC SCREW **SS***

Anatomic titanium abutment for standard platform (2.1 mm) with 1. 2. 3 mm shoulders that has two shoulder diameter widths – 4.2 mm and 5.5 mm. It is installed using universal or hand prosthetic insertion driver.

MATERIAL Titanium Grade 5

Wide platform



STANDARD



PRODUCT CODE
GAAB1 GAAB2 GAAB3

DIAMETER	5.1 mm	5.1 mm	5.1 mm
SHOULDER	1 mm	2 mm	3 mm
LENGTH	12.4 mm	13.4 mm	14.4 mm

INTERNAL HEX
2.5

Each abutment set includes:



PROSTHETIC SCREW **SW***

Anatomic titanium abutment for wide platform (2.5 mm) with 1. 2. 3 mm shoulders. It is installed using universal or hand prosthetic insertion driver.

MATERIAL Titanium Grade 5

PLASTIC TRANSFER CAP

STANDARD PLATFORM

WIDE PLATFORM

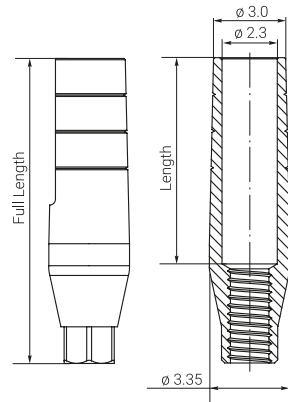


PRODUCT CODE
PTCS PTCB

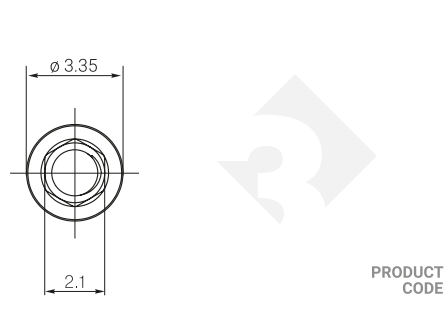
DIAMETER	7.0 mm	8.0 mm
LENGTH	10 mm	10 mm

STRAIGHT ABUTMENTS

Standard platform



MATERIAL Titanium Grade 5



	GAS8	GAS9	GAS13
DIAMETER	3.35 mm	3.35 mm	3.35 mm
LENGTH	6.7 mm	8.7 mm	11.7 mm
FULL LENGTH	10.55 mm	12.55 mm	15.55 mm

Titanium straight abutment for standard platform (2.1 mm). It is installed using universal or hand prosthetic insertion driver.

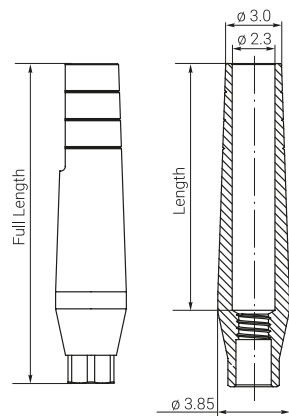
INTERNAL HEX
2.1

Each abutment set includes:

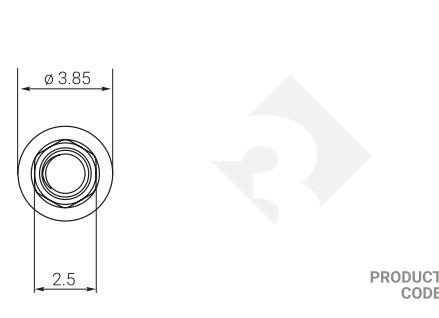


PROSTHETIC SCREW **SS***

Wide platform



MATERIAL Titanium Grade 5



	GAB8	GAB9	GAB13
DIAMETER	3.85 mm	3.85 mm	3.85 mm
LENGTH	8.07 mm	10.07 mm	13.07 mm
FULL LENGTH	12.12 mm	14.12 mm	17.12 mm

Titanium straight abutment for wide platform (2.5 mm). It is installed using universal or hand prosthetic insertion driver.

INTERNAL HEX
2.5

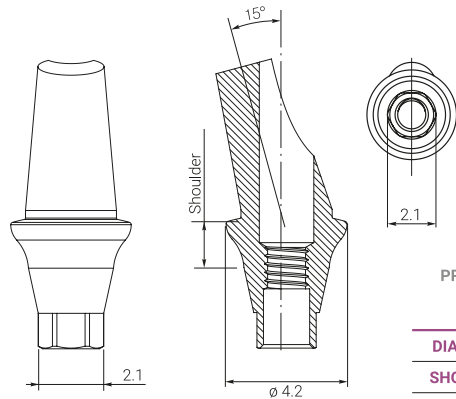
Each abutment set includes:



PROSTHETIC SCREW **SW***

ANGLED ABUTMENTS 15°

Standard platform



PRODUCT CODE	EAAS15	EAAS1501	EAAS1502	EAAS1503
DIAMETER	3.35 mm	4.2 mm	4.2 mm	4.2 mm
SHOULDER		1 mm	2 mm	3 mm
LENGTH	11.0 mm	10.85 mm	11.85 mm	12.85 mm
ANGLE	15°	15°	15°	15°

MATERIAL Titanium Grade 5

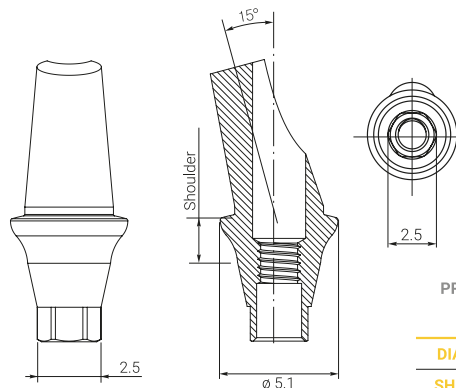
Angled anatomic titanium abutment 15° for standard platform (2.1 mm) with 1. 2. 3 mm shoulder or without it. It is installed using universal or hand prosthetic insertion driver.

INTERNAL HEX
2.1

Each abutment set includes:



Wide platform



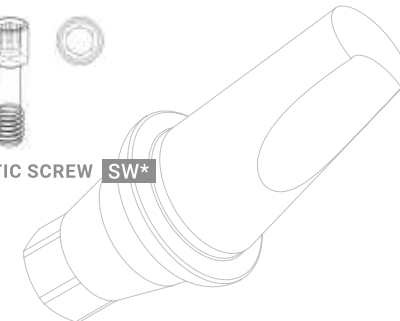
PRODUCT CODE	EAAB15	EAAB1501	EAAB1502	EAAB1503
DIAMETER	3.85 mm	5.1 mm	5.1 mm	5.1 mm
SHOULDER		1 mm	2 mm	3 mm
LENGTH	12.85 mm	11.55 mm	12.2 mm	13.2 mm
ANGLE	15°	15°	15°	15°

MATERIAL Titanium Grade 5

Angled anatomic titanium abutment 15° for wide platform (2.5 mm) with 1. 2. 3 mm shoulder or without it. It is installed using universal or hand prosthetic insertion driver.

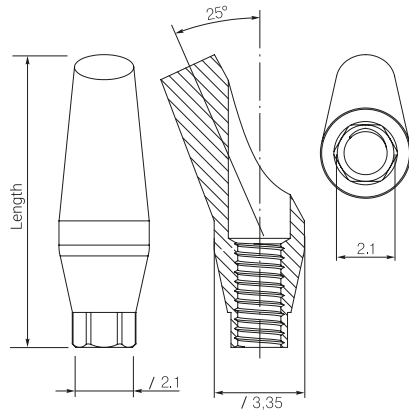
INTERNAL HEX
2.5

Each abutment set includes:



ANGLED ABUTMENTS 25°

Standard platform

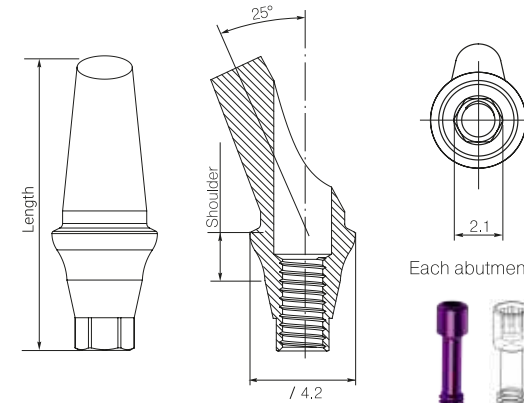


PRODUCT CODE

	EAAS25	EAAS2502
DIAMETER	3.35 mm	4.2 mm
SHOULDER		2 mm
LENGTH	10.9 mm	11.75 mm
ANGLE	25°	25°

MATERIAL Titanium Grade 5

Angled anatomic titanium abutment 25° for standard platform (2.1 mm) with 2 mm shoulder or without it. It is installed using universal or hand prosthetic insertion driver.



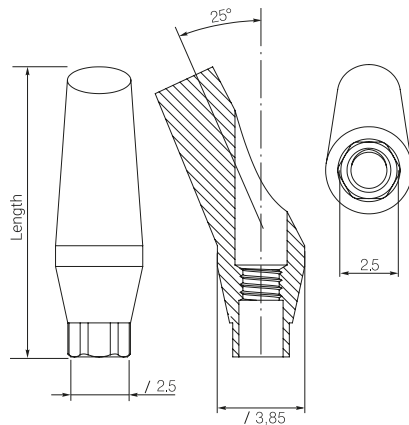
Each abutment set includes:



PROSTHETIC SCREW SS*

INTERNAL HEX
2.1

Wide platform

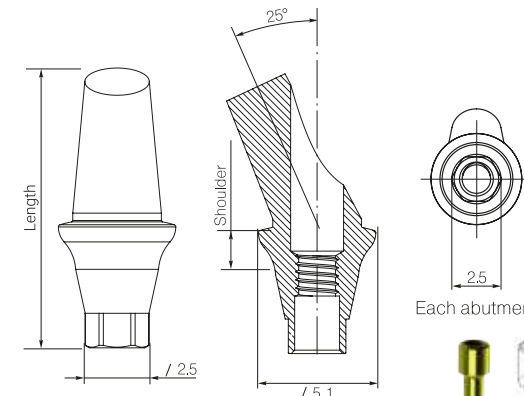


PRODUCT CODE

	EAAB25	EAAB2502
DIAMETER	3.85 mm	5.1 mm
SHOULDER		2 mm
LENGTH	12.8 mm	12.15 mm
ANGLE	25°	25°

MATERIAL Titanium Grade 5

Angled anatomic titanium abutment 25° for wide platform (2.5 mm) with 2 mm shoulder or without it. It is installed using universal or hand prosthetic insertion driver.



Each abutment set includes:



PROSTHETIC SCREW SW*

INTERNAL HEX
2.5

IMPRESSION SUPRASTRUCTURES

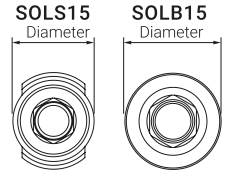
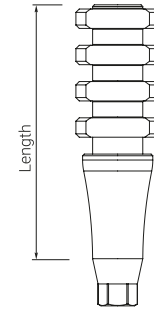
Impression transfers for open tray



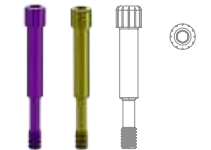
STANDARD PLATFORM

WIDE PLATFORM

4.2 mm	5.1 mm	DIAMETER
17.85 mm	18.45 mm	LENGTH



Each transfer set includes:



PRODUCT CODE **SOLS15**

PRODUCT CODE **SOLB15**

MATERIAL Titanium Grade 5

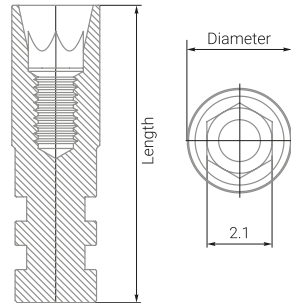
SCREW

Laboratory analogs

STANDARD PLATFORM

WIDE PLATFORM

3.75 mm	4 mm	DIAMETER
12.3 mm	13.5 mm	LENGTH



PRODUCT CODE

IAS

IAB

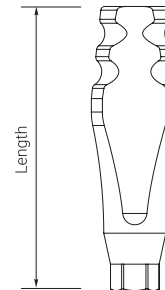
MATERIAL Titanium Grade 5

Impression transfers for closed tray

STANDARD PLATFORM

WIDE PLATFORM

4.2 mm	5.1 mm	DIAMETER
13.75 mm	14.35 mm	LENGTH



Each transfer set includes:



PRODUCT CODE

SGLS9

SGLB9

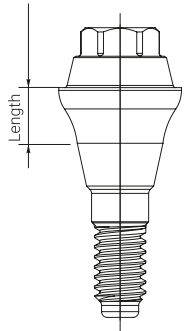
MATERIAL Titanium Grade 5

SCREW

STRAIGHT MULTI-UNITS

Antirotational Aesthetic Abutment S+ /W+

Standard platform



MATERIAL Titanium Grade 5



PRODUCT CODE

VAAS1+

VAAS2+

VAAS3+

DIAMETER	4.3 mm	4.3 mm	4.3 mm
LENGTH	1 mm	2 mm	3 mm

The abutment is used to restore a fixed bridge with screw retention.
Screw in with a maximum force of 20 newton.

INTERNAL HEX
2.1

Wrench for MU



WF-MU
mandatory position
for using

For SINGLE construction

Titanium sleeve for screw retained abutment



Burnout plastic sleeve

Transfer

Temporary PEEK sleeve



Plastic VAAS

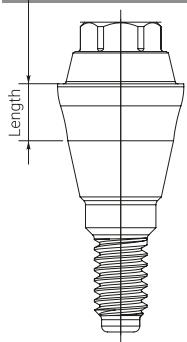


SAES15



TGAS1

Wide platform



MATERIAL Titanium Grade 5



PRODUCT CODE

VAAB1+

VAAB2+

VAAB3+

DIAMETER	4.3 mm	4.3 mm	4.3 mm
LENGTH	1 mm	2 mm	3 mm

INTERNAL HEX
2.5

Wrench for MU



WF-MU
mandatory position
for using

For FIXED BRIDGE construction

Titanium sleeve

Castable sleeve

Healing Cap

Healing Cap Wide

Burnout plastic sleeve

Temporary PEEK sleeve

Laboratory Analog

Transfer



GIMV



CSMU



GIMA



GIMA-W



Plastic TCMS



TGMN 1



IAEN



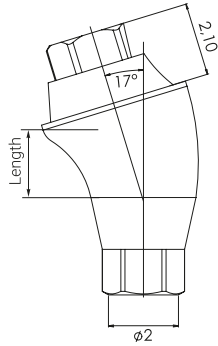
SOKM15

* Screw for Gima is included

ANGLED MULTI-UNIT 17°

Titanium basis for multi-unit S/W

Standard platform

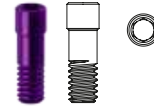


PRODUCT CODE	TBMS1701	TBMS1702	TBMS1703
DIAMETER	4.35 mm	4.35 mm	4.35 mm
LENGTH	1 mm	2 mm	3 mm

Angled multi-unit 17° of a standard/wide platform is intended for the construction with screw retention during the treatment of partial or full adentia. It is used in cases where the implant is placed at an angle. A multifunctional torque wrench is used for the installation.

INTERNAL HEX
2.1

Each multi-unit basis set includes:



Screw for Multiunit Base

For SINGLE construction

Titanium sleeve for screw retained abutment



GAVAA

Burnout plastic sleeve



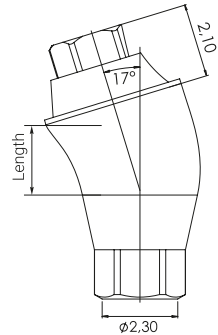
Plastic VAAS

Temporary PEEK sleeve



TGAS1

Wide platform



PRODUCT CODE	TBMB1701	TBMB1702	TBMB1703
DIAMETER	4.35 mm	4.35 mm	4.35 mm
LENGTH	1 mm	2 mm	3 mm

INTERNAL HEX
2.5

Each multi-unit basis set includes:



Screw for Multiunit Base

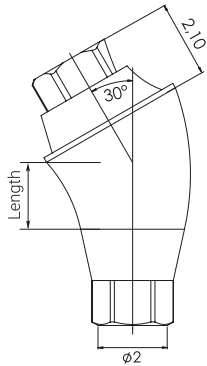
For FIXED BRIDGE construction

Titanium sleeve	Castable sleeve	Healing Cap	Healing Cap Wide	Burnout plastic sleeve	Temporary PEEK sleeve	Laboratory Analog	Transfer
GIMV	CSMU	GIMA	GIMA-W	Plastic TCMS	TGMN 1	IAEN	SOKM15

ANGLED MULTI-UNIT 30°

Titanium basis for multi-unit S/W

Standard platform



PRODUCT CODE	TBMS3001	TBMS3002	TBMS3003
DIAMETER	4.3 mm	4.3 mm	4.3 mm
LENGTH	1 mm	2 mm	3 mm

INTERNAL HEX
2.1

Each multi-unit basis set includes:



Screw for Multiunit Base

For SINGLE construction

Titanium sleeve for screw retained abutment



GAVAA



Temporary PEEK sleeve

Burnout plastic sleeve

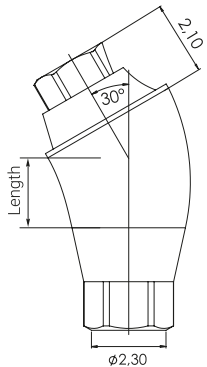


Plastic VAAS



TGAS1

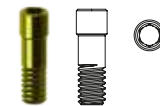
Wide platform



PRODUCT CODE	TBMB3001	TBMB3002	TBMB3003
DIAMETER	4.3 mm	4.3 mm	4.3 mm
LENGTH	1 mm	2 mm	3 mm

INTERNAL HEX
2.5

Each multi-unit basis set includes:



Screw for Multiunit Base

Angled multi-unit 30° of a standard/wide platform is intended for the construction with screw retention during the treatment of partial or full adentia. It is used in cases when the implant is placed at an angle. A multifunctional torque wrench is used for the installation.

For FIXED BRIDGE construction

Titanium sleeve

Castable sleeve

Healing Cap

Healing Cap Wide

Burnout plastic sleeve

Temporary PEEK sleeve

Laboratory Analog

Transfer



GIMV



CSMU



GIMA



GIMA-W



Plastic TCMS



TGMN 1



IAEN

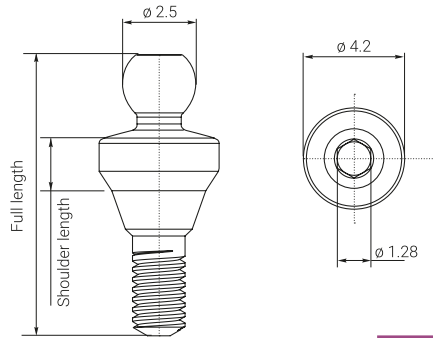


SOKM15

* Screw for Gima is included

BALL ATTACHMENTS

Standard platform



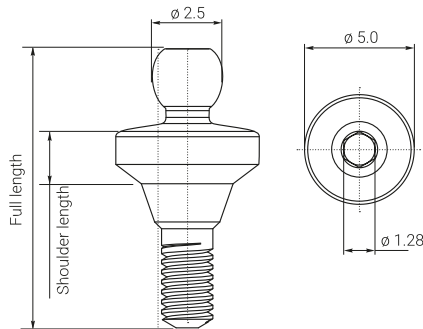
MATERIAL Titanium Grade 5



PRODUCT CODE	BAS 2	BAS 3	BAS 4	BAS 5	BAS 6
DIAMETER	4.2 mm	4.2 mm	4.2 mm	4.2 mm	4.2 mm
SHOULDER LENGTH	2 mm	3 mm	4 mm	5 mm	6 mm
FULL LENGTH	9,95 mm	10,95 mm	11,95 mm	12,95 mm	13,95 mm

Ball attachment for overdentures and removable dentures fixation for standard platform (2.1 mm) as an element for dental prosthetics on two or more implants. It is installed using universal or hand prosthetic insertion driver.

Wide platform



MATERIAL Titanium Grade 5

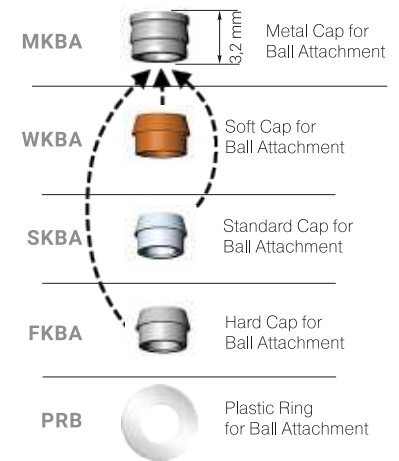


PRODUCT CODE	BAB 2	BAB 3	BAB 4	BAB 5	BAB 6
DIAMETER	5.0 mm	5.0 mm	5.0 mm	5.0 mm	5.0 mm
SHOULDER LENGTH	2 mm	3 mm	4 mm	5 mm	6 mm
FULL LENGTH	10,6 mm	11,6 mm	12,6 mm	13,6 mm	14,6 mm

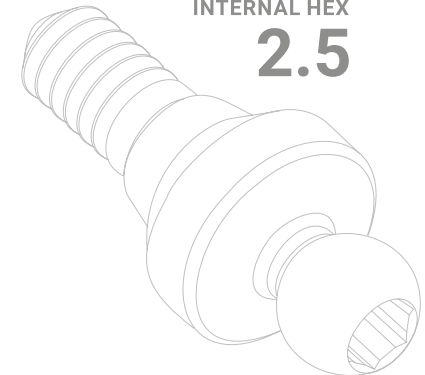
Ball attachment for overdentures and removable dentures fixation for wide platform (2.5 mm) as an element for dental prosthetics on two or more implants. It is installed using universal or hand prosthetic insertion driver.

INTERNAL HEX 2.1

Each ball attachment should be supported by metal cap with 3 caps applied in the following sequence: Metal ← Soft ← Standard ← Hard to ensure the most comfortable adaptation of the patient to his new dental prosthesis.

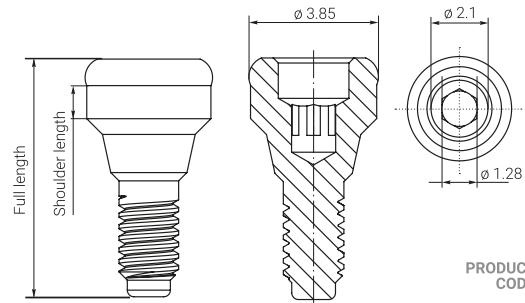


INTERNAL HEX 2.5



LOCATORS

Standard platform

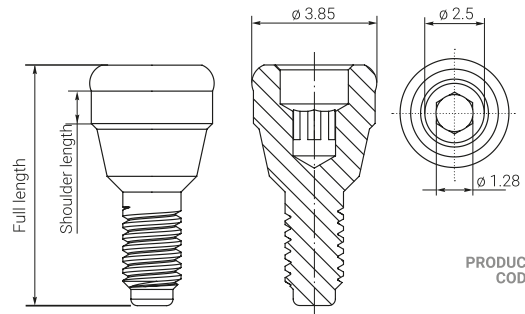


MATERIAL Titanium Grade 5

DIAMETER	3.85 mm	3.85 mm	3.85 mm	3.85 mm	3.85 mm
SHOULDER LENGTH	2 mm	3 mm	4 mm	5 mm	6 mm
FULL LENGTH	8,2 mm	9,2 mm	10,2 mm	11,2 mm	12,2mm

Locators for overdentures and removable dentures fixation for standard platform (2.1 mm) as an element for dental prosthetics on two or more implants. It is installed using universal or hand prosthetic insertion driver.

Wide platform



MATERIAL Titanium Grade 5

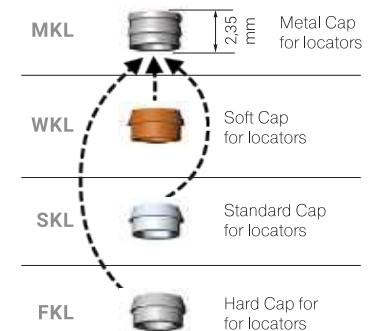
DIAMETER	3.85 mm	3.85 mm	3.85 mm	3.85 mm	3.85 mm
SHOULDER LENGTH	2 mm	3 mm	4 mm	5 mm	6 mm
FULL LENGTH	8,2 mm	9,2 mm	10,2 mm	11,2 mm	12,2 mm

Locators for overdentures and removable dentures fixation for wide platform (2.5 mm) as an element for dental prosthetics on two or more implants. It is installed using universal or hand prosthetic insertion driver.

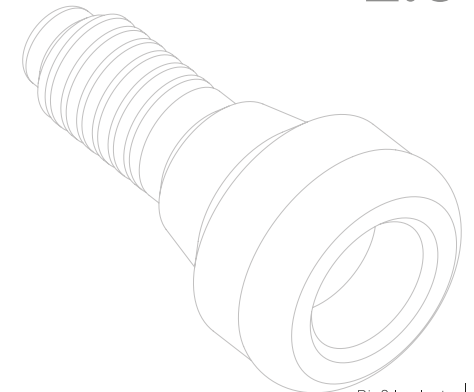
INTERNAL HEX
2.1

Each locator should be supported by metal cap with 3 applied in the following sequence:

Metal ← Soft ← Standard ← Hard to ensure the most comfortable adaptation of the patient to his new dental prosthesis.

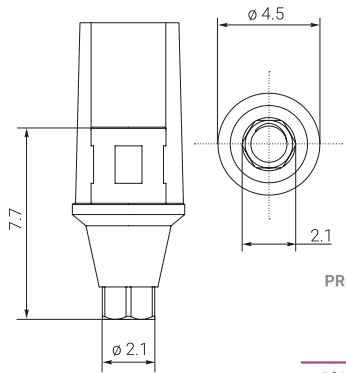


INTERNAL HEX
2.5



BURNOUT PLASTIC SLEEVE ABUTMENTS

Standard platform



PRODUCT CODE

TBKS1

MATERIAL Cobalt-chrome

DIAMETER	4.5 mm
LENGTH	7.7 mm

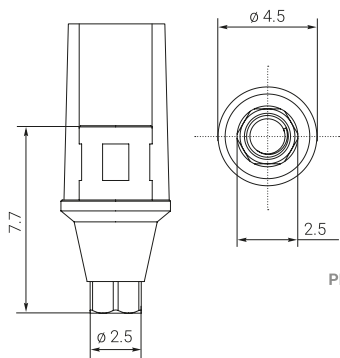
INTERNAL HEX
2.1

Each abutment set includes:



PROSTHETIC SCREW **SS***

Wide platform



PRODUCT CODE

TBKB1

MATERIAL Cobalt-chrome

DIAMETER	4.5 mm
LENGTH	7.7 mm

INTERNAL HEX
2.5

Each abutment set includes:



PROSTHETIC SCREW **SW***

BURNOUT ABUTMENTS

Standard platform

For bridge construction

DIAMETER	4.2 mm
LENGTH	14 mm

Each platform set includes:



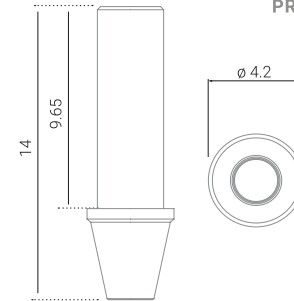
PROSTHETIC SCREW **SS***

Plastic Cylinder Abutment
Non Hex



PCS NH

MATERIAL
Burned out plastic



Wide platform

For bridge construction

DIAMETER	4.6 mm
LENGTH	14.5 mm

Each platform set includes:



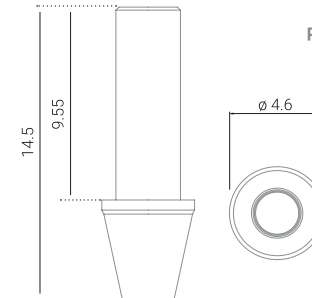
PROSTHETIC SCREW **SW***

Plastic Cylinder Abutment
Non Hex



PCB NH

MATERIAL
Burnout plastic

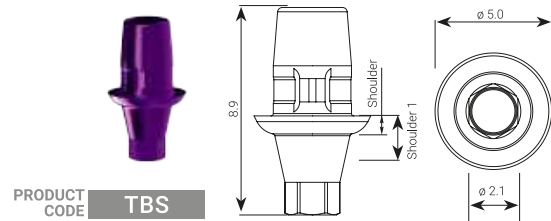


PROSTHETICS FOR CAD/CAM

Standard platform

Ti Base S for CEREC

DIAMETER 5.0 mm
FUNCTIONAL LENGTH 4.65 mm
SHOULDER 1 mm

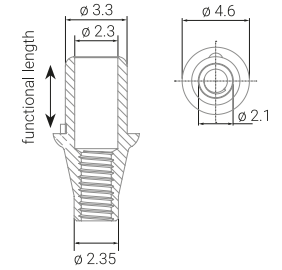


MATERIAL
 Titanium Grade 5

Titanium platform for CAD/CAM

	Non Hex	TPS	TPS1	TPS2	TPS3
PRODUCT CODE	TPS-NH	TPS	TPS1	TPS2	TPS3
DIAMETER	4.6 mm	4.6 mm	4.6 mm	4.6 mm	4.6 mm
FUNCTIONAL LENGTH	4.1 mm	4.1 mm	4.1 mm	4.1 mm	4.1 mm
SHOULDER	0.5 mm	0.5 mm	1 mm	2 mm	3 mm
SHOULDER 1	1.3 mm	1.3 mm	2.3 mm	3.3 mm	4.3 mm

MATERIAL
 Titanium Grade 5



Each platform set includes:

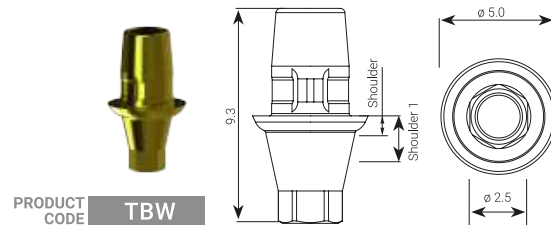


PROSTHETIC SCREW SS*

Wide platform

Ti Base W for CEREC

DIAMETER 5.0 mm
FUNCTIONAL LENGTH 4.65 mm
SHOULDER 1 mm

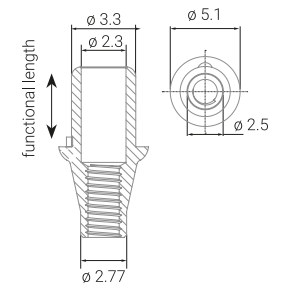


MATERIAL
 Titanium Grade 5

Titanium platform for CAD/CAM

	Non Hex	TPB	TPB1	TPB2	TPB3
PRODUCT CODE	TPB-NH	TPB	TPB1	TPB2	TPB3
DIAMETER	5.1 mm	5.1 mm	5.1 mm	5.1 mm	5.1 mm
FUNCTIONAL LENGTH	4.05 mm	4.1 mm	4.1 mm	4.1 mm	4.1 mm
SHOULDER	0.5 mm	0.5 mm	1 mm	2 mm	3 mm
SHOULDER 1	1.3 mm	1.3 mm	2.3 mm	3.3 mm	4.3 mm

MATERIAL
 Titanium Grade 5



Each platform set includes:



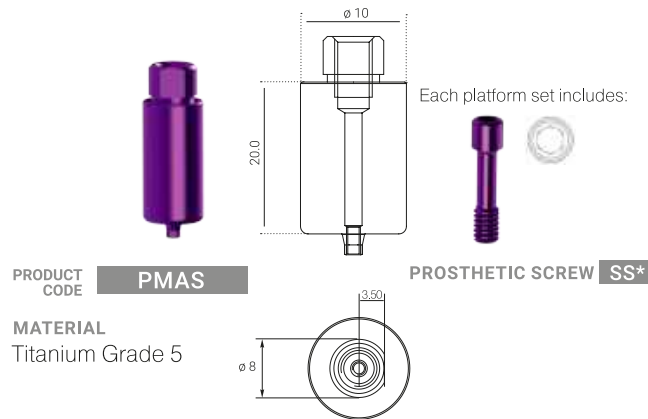
PROSTHETIC SCREW SW*

PROSTHETICS FOR CAD/CAM

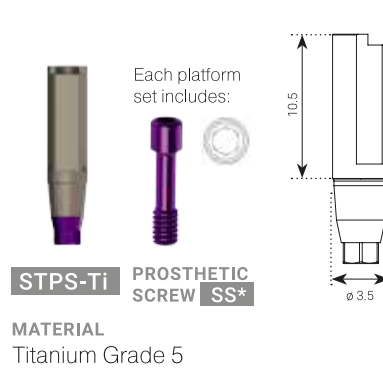
Standard platform

PREMILL ABUTMENT

for Arum

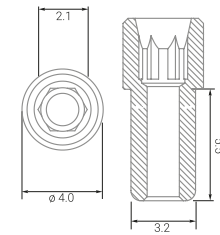


TITANIUM SCAN- ABUTMENT

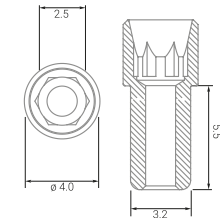


Digital analogs

STANDARD PLATFORM



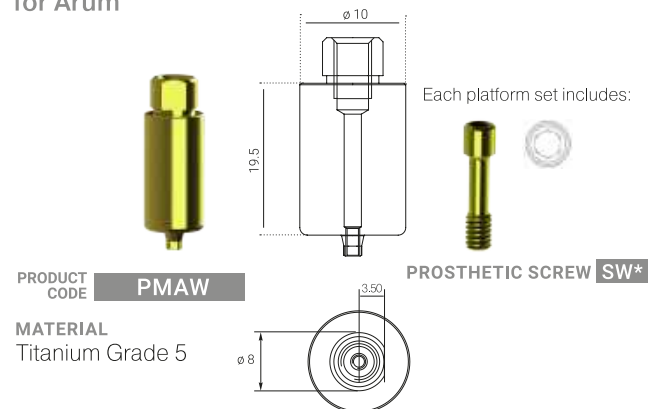
WIDE PLATFORM



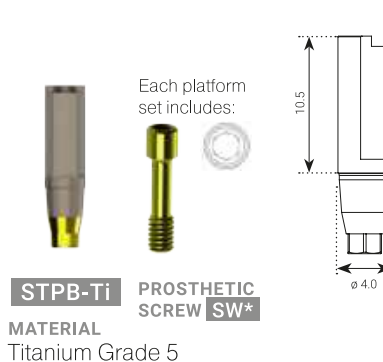
Wide platform

PREMILL ABUTMENT

for Arum

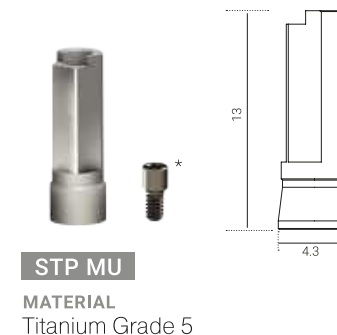


TITANIUM SCAN- ABUTMENT



For Multi-units

Scan Abutment
for MU



* Screw for Gima
is included

Titanium platform
for CAD/CAM MU

For bridge construction

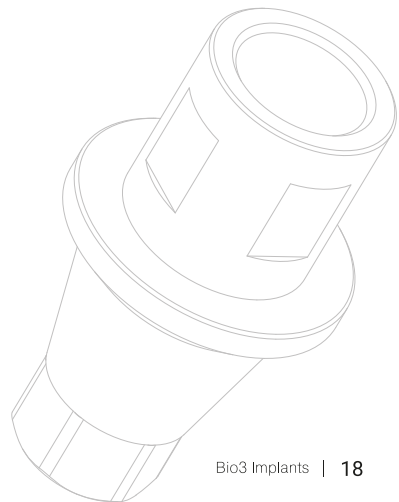
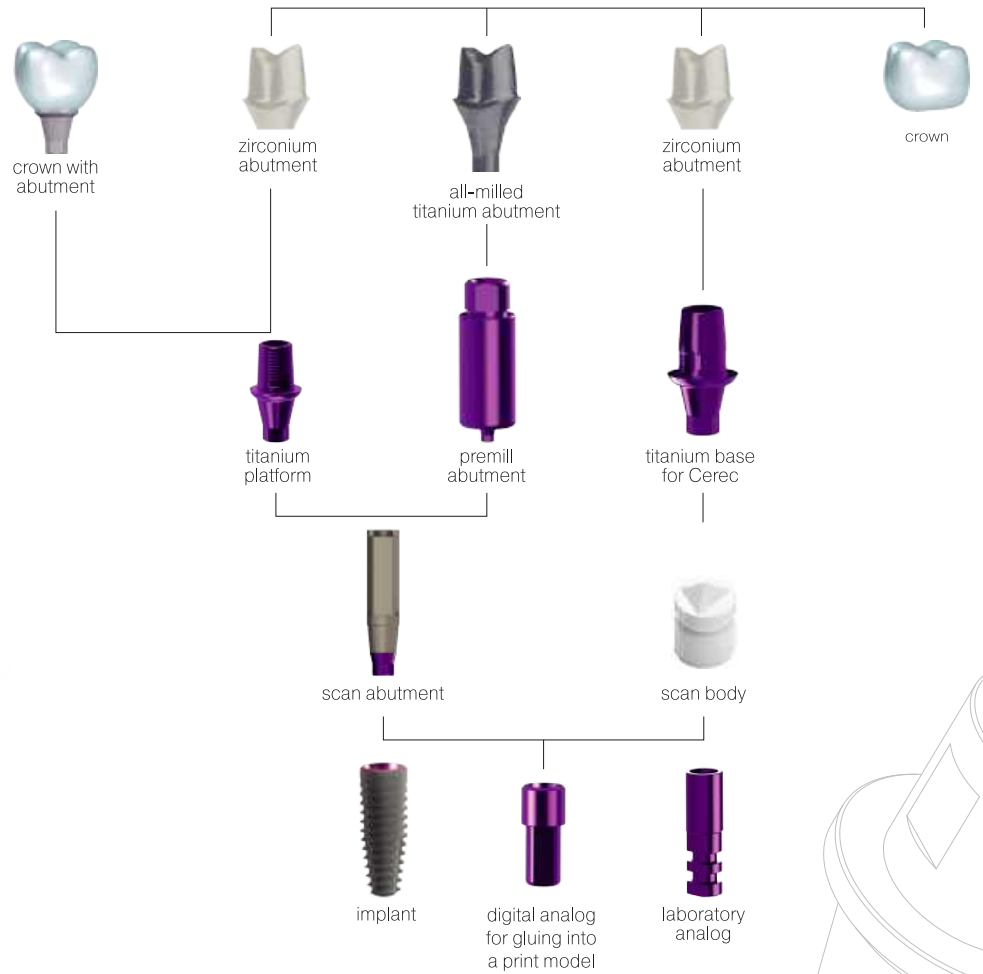


* Screw for Gima
is included

DIGITAL PROTOCOL FOR CREATING AN ORTHOPEDIC STRUCTURE



Home page bio3-implants.com contains the following libraries available for download: **Exocad, Exoplan, 3SHAPE, 3DIEMME, NemoTec, dicomLAB, Blender for dental, ImplaStation**



Bio3 IMPLANTS SYSTEM

IMPLANT PROGRESSIVE

PRODUCT CODE **PTI**
MATERIAL Titanium Grade 4



IMPLANT ADVANCED

PRODUCT CODE **ATI**
MATERIAL Titanium Grade 4



Version s.EN.008.2025 CE

GUIDE SURGICAL KIT

PRODUCT CODE
GSK



PENGUIN MONITOR

PRODUCT CODE
55002



SURGICAL KIT

PRODUCT CODE
VSC



 Bio3 Implants GmbH
Hanauer Str.1 - 5, 75181,
Pforzheim, Germany
+49 723 160 84 104
www.bio3-implants.com
info@bio3-implants.com



ONLINE SHOP



WEBSITE